

Mobile Hydraulic Pumps T6G, T67G, T6ZC

Denison Vane Technology, fixed displacement

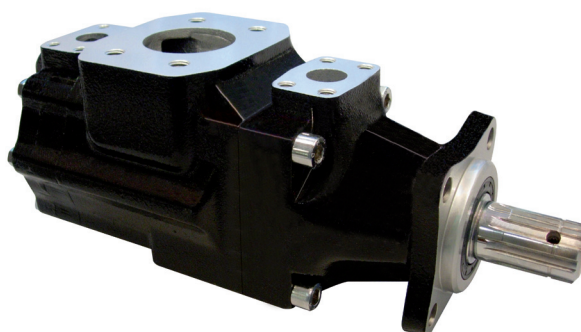
aerospace
climate control
electromechanical
filtration
fluid & gas handling
hydraulics
pneumatics
process control
sealing & shielding



ENGINEERING YOUR SUCCESS.

Contents

GENERAL	Features	3
	General characteristics.....	3
	Minimum & maximum speed, pressure ratings	4
	Minimum allowable inlet pressure.....	4
	Pump selection.....	5
	Fluid power formulas	5
	Description	6
	Application advantages	6
	Hydraulic fluids	7
	Intermittent pressure rating.....	8
	Instructions	8
	Notes	9
T67GB	Ordering code & operating characteristics	10
	Technical data.....	11
T6GC - T6ZC	Ordering code & operating characteristics	12
	Technical data	13
T67GB - T6GC	Dimensions	14
T6ZC	Dimensions.....	15
T6GCC	Ordering code & operating characteristics	16
	Technical data	17
	Dimensions	18
	Notes	19



FEATURES

These pumps are specially designed for PTO drives for direct installation (Tipping trucks, refuse trucks, cranes...)

These T6 and T67 series vane pumps have been equipped with B or C cartridges in mobile version. The combination of different cartridges in single and double pumps allows low flow at high pressure and high flow at lower pressure. This is the clever way to optimize your circuit design. In double pumps, the large suction port is common.

GREATER FLOW

B size cartridge : 5,8 to 50,0 ml/rev.
 C size cartridge : 10,8 to 100,0 ml/rev.

HIGHER PRESSURE

B size cartridge : 300 bar max.
 C size cartridge : 275 bar max.

WIDE SPEED RANGE

400 to 2800 RPM.

BETTER EFFICIENCY

Over 94% under high pressure, which increases the productivity and reduces the heating and operations costs.

HIGH SHAFT LOAD CAPABILITY

High shaft load capability up to 7500 N radial load on T6GC shaft.

LOW NOISE LEVELS

Increases operator safety and eases machines acceptances.

MOUNTING FLEXIBILITY

Single pump : 4 different positions
 Double pump : 32 different positions

CARTRIDGE DESIGN

Interchangeable cartridges permit easy conversion and service at a minimum cost and minimum contamination risk.

WIDE RANGE OF ACCEPTABLE VISCOSITIES

Viscosities from 2000 to 10 cSt permit colder starts and hotter running. The balanced design compensates for wear and temperature changes.

FIRE RESISTANT FLUIDS AND BIODEGRADABLE FLUIDS

Phosphate esters, organic esters, chlorinated hydrocarbons, water glycols rapeseed may be pumped at high pressures and with long service life by these pumps.

GENERAL CHARACTERISTICS

	Mounting standard	Weight without connector and bracket - kg	Moment of inertia kgm ² x 10 ⁻⁴	SAE 4 bolts J518c - ISO/DIS 6162-1		
				Suction	Pressure	
T6ZC	3 bolts	14,1	8,6	1.1/2"	1" BSPP threads	
T6GC/T67GB	R. 17 - 102	18,0	9,1	1.1/2"	1" SAE threads	
T6GCC	R. 17 - 102	27,2	15,9		P1	P2
				3"	1"	1"
				3"	1"	3/4"
				2.1/2"	1"	1"
				2.1/2"	1"	3/4"

Speed and Pressure Ratings

Size	Series	Theoretical Displacement Vi	Minimum Speed	Maximum Speed		Maximum Pressure					
				HF-0, HF-1 HF-2	HF-3, HF-4 HF-5	HF-0, HF-2		HF-1, HF-4, HF-5		HF-3	
		ml/rev.	RPM	RPM	RPM	Int.	Cont.	Int.	Cont.	Int.	Cont.
						bar	bar	bar	bar	bar	bar
B	B02	5,8	600	3600	1800	300	275	240	210	175	140
	B03	9,8									
	B04	12,8									
	B05	15,9									
	B06	19,8									
	B07	22,5									
	B08	24,9									
	B10	31,8									
	B12	41,0									
	B15	50,0		3000		280	240				
C	B03	10,8	400	2800	1800	275	240	210	175	175	140
	B05	17,2									
	B06	21,3									
	B08	26,4									
	B10	34,1									
	B12	37,1									
	B14	46,0									
	B17	58,3									
	B20	63,8									
	B22	70,3									
	B25	79,3									
	B28	88,8									
		B31									

HF-0, HF2 = Antiwear Petroleum Base HF-1 = Non Antiwear Petroleum Base HF-5 = Synthetic Fluids
 HF-3 = Water in oil Emulsions HF-4 = Water Glycols

For further information or if the performance characteristics outlined above do not meet your own particular requirements, please consult your local Parker representative.

MINIMUM ALLOWABLE INLET PRESSURE (BAR ABSOLUTE)

Cartridges		Speed RPM								Series
Size	Series	1800	2100	2200	2300	2500	2800	3000	3600	
B	B02-B03-B04-B05	0,80	0,80	0,80	0,80	0,80	0,80	0,80	0,80	B02-B03-B04-B05
	B06-B07							0,82	0,98	B06-B07
	B08							0,85	1,05	B08
	B10							0,90	1,15	B10
	B12									B12
	B15							0,84	0,99	0,92
C	B03	0,80	0,80	0,80	0,80	0,80	0,80	0,80	0,80	B03
	B05									B05
	B06									B06
	B08									B08
	B10									B10
	B12									B12
	B14									B14
	B17									B17
	B20									B20
	B22									B22
	B25									B25
	B28									B28
	B31									B31

Inlet pressure is measured at inlet flange with petroleum base fluids at viscosity between 10 and 65 cSt. The difference between inlet pressure at the pump flange and atmospheric pressure must not exceed 0,2 bar to prevent aeration.

Multiply absolute pressure by 1,25 for HF-3, HF-4 fluids.
 by 1,35 for HF-5 fluid.
 by 1,10 for ester or rapeseed base.

For double pumps, prefer the cartridge requiring the highest absolute pressure.



CALCULATION

<i>To resolve</i>		<i>Performances required</i>	
Volumetric displacement	V_i [ml/rev]	Requested flow	Q [l/min] 60
Available flow	Q [l/min]	Speed	n [RPM] 1500
Input power	P [kW]	Pressure p	[bar] 150

Routine :

Example :

1. First calculation $V_i = \frac{1000 Q}{n}$

$V_i = \frac{1000 \times 60}{1500} = 40$ ml/rev

2. Choice V_i of pump immediately greater (see tabulation)

T6GC B14 $V_i = 46$ ml/rev.

3. Theoretical flow of this pump

$Q_{theo.} = \frac{V_i \times n}{1000}$

$Q_{theo.} = \frac{46 \times 1500}{1000} = 69$ l/min

4. Finds q_s leakage function of pressure $q_s = f(p)$ on curve at 10 or 24 cSt

T6GC (page 13) : $q_s = 6$ l/min at 150 bar, 24 cSt

5. Available flow $Q = Q_{theo.} - q_s$

$Q = 69 - 6 = 63$ l/min

6. Theoretical input power

$P_{theo.} = \frac{Q_{theo.} \times P}{600}$

$P_{theo.} = \frac{69 \times 150}{600} = 17,3$ kW

7. Finds P_s hydrodynamic power loss on curve

T6GC (page 13) : P_s at 1500 R.P.M., 150 bar = 1,5 kW

8. Calculation of necessary input power $P = P_{theo.} + P_s$

$P = 17,3 + 1,5 = 18,8$ kW

9. Results

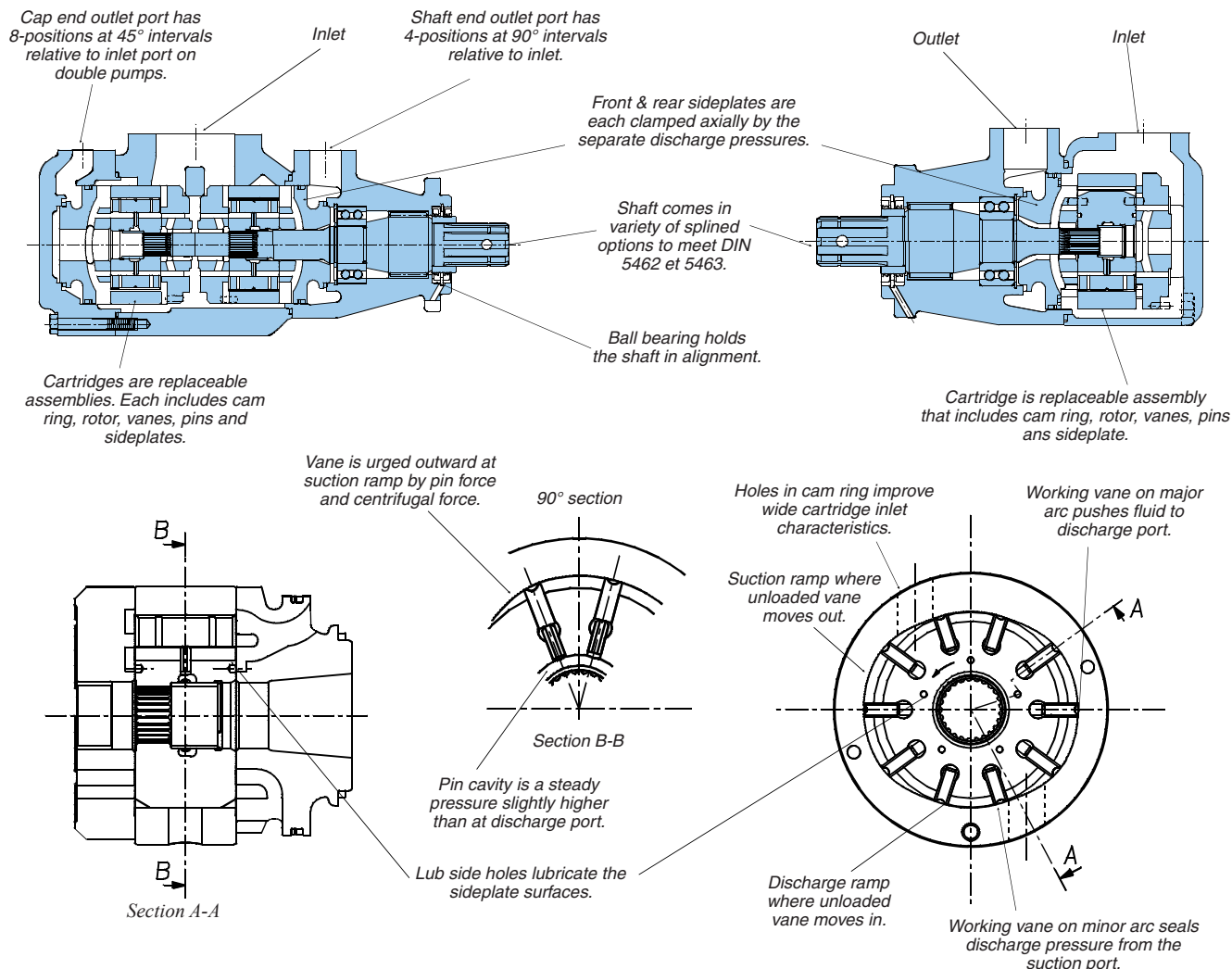
$V_i = 46,0$ ml/rev.
 $Q = 63,0$ l/min
 $P = 18,8$ kW } T6GC B14

These calculation steps must be followed for each application.

FLUID POWER FORMULAS

Pump input torque	N.m	$\frac{\text{pressure (bar)} \times \text{displacement (ml/rev)}}{20 \pi \times \text{mech. eff.}}$
Pump input power	kW	$\frac{\text{speed (rpm)} \times \text{displacement (ml/rev)} \times \text{pressure (bar)}}{600000 \times \text{overall eff.}}$
Pump output flow	l/min	$\frac{\text{speed (rpm)} \times \text{displacement (ml/rev)} \times \text{volumetric eff.}}{1000}$
Fluid motor speed	RPM	$\frac{1000 \times \text{flow rate (Lpm)} \times \text{volumetric eff.}}{\text{displacement (ml/rev.)}}$
Fluid motor torque	N.m	$\frac{\text{pressure (bar)} \times \text{displacement (ml/rev)} \times \text{mech. eff.}}{20 \pi}$
Fluid motor power	kW	$\frac{\text{speed (rpm)} \times \text{displacement (ml/rev)} \times \text{pressure (bar)} \times \text{overall eff.}}{600000}$

Description



APPLICATION ADVANTAGES

- The high pressure capability to 275 bar, in the small envelope, reduces installation costs and provides extended life at reduced pressure.
- The high volumetric efficiency, typically 94%, reduces heat generation, and allows speeds down to 400 RPM at full pressure.
- The high mechanical efficiency, typically 94%, reduces energy consumption.
- The wide speed range from 400 RPM to 2800 RPM, combined with large size cartridge displacements, will optimize operation for the lowest noise level in the smallest envelope.
- The low speed 400 RPM, low pressure, high viscosity 2000 cSt allow applications in cold environments with minimum energy consumption and without seizure risk.
- The low ripple pressure ± 2 bar reduces piping noise and increases life time of other components in the circuit.
- The high resistance to particle contamination because of the double lip vane increases pump life.
- The large variety of options (cam displacement, shaft, porting) allows customized installation.

RECOMMENDED FLUIDS

Petroleum based antiwear R & O fluids.
These fluids are the recommended fluids for T6 series pumps. Maximum catalogue ratings and performance data are based on operation with these fluids. These fluids are covered by Denison HF-0 and HF-2 specification.

ACCEPTABLE ALTERNATE FLUIDS

The use of fluids other than petroleum based antiwear R & O fluids requires that the maximum ratings of the pumps will be reduced. In some cases the minimum replenishment pressures must be increased. Consult specific sections for more details.

VISCOSITY

Max (cold start, low speed & pressure) 2000 mm²/s (cSt)
 Max (full speed & pressure) 108 mm²/s (cSt)
 Optimum (max. life)..... 30 mm²/s (cSt)
 Min (full speed & pressure for HF-1, HF-3, HF-4 & HF-5 fluids)..... 18 mm²/s (cSt)
 Min (full speed & pressure for HF-0 & HF-2 fluids)..... 10 mm²/s (cSt)

VISCOSITY INDEX

90° min. higher values extend range of operating temperatures.
 Maximum fluid temperature (θ) °C
 HF-0, HF-1, HF-2..... + 100° C
 HF-3, HF-4..... + 50° C
 HF-5..... + 70° C
 Biodegradable fluids (esters & rapeseed base)..... + 65° C

 Minimum fluid temperature (θ) °C
 HF-0, HF-1, HF-2, HF-5..... - 18° C
 HF-3, HF-4..... + 10° C
 Biodegradable fluids (esters & rapeseed base)..... - 20° C

FLUID CLEANLINESS

The fluid must be cleaned before and during operation to maintain contamination level of NAS 1638 class 8 (or ISO 19/17/14) or better. Filters with 25 micron (or better β₁₀ ≥ 100) nominal ratings may be adequate but do not guarantee the required cleanliness levels. Suction strainers must be of adequate size to provide minimum inlet pressure specified. 100 mesh (150 micron) is the finest mesh recommended. Use oversize strainers or omit them altogether on applications which require cold starts or use fire resistant fluids.

OPERATING TEMPERATURES AND VISCOSITIES

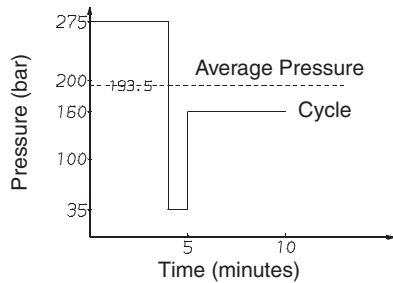
Operating temperatures are a function of fluid viscosities, fluid type, and the pump. Fluid viscosity should be selected to provide optimum viscosity at normal operating temperatures. For cold starts the pumps should be operated at low speed and pressure until fluid warms up to an acceptable viscosity for full power operation.

WATER CONTAMINATION IN THE FLUID

Maximum acceptable content of water.
 • 0,10 % for mineral base fluids.
 • 0,05 % for synthetic fluids, crankcase oils, biodegradable fluids.
 If the amount of water is higher, then it should be drained off the circuit.

Instructions

INTERMITTENT PRESSURE RATING



T6 units may be operated intermittently at higher pressures than the recommended continuous rating when the time weighted average of pressure is less than or equal to the continuous duty pressure rating. This intermittent pressure rating calculation is only valid if other parameters : speed, fluid, viscosity and contamination level are respected.

For total cycle time higher than 15 minutes please consult your Parker representative.

Example : T6GC - B14

Duty cycle 4 min. at 275 bar
 1 min. at 35 bar
 5 min. at 160 bar

$$\frac{(4 \times 275) + (1 \times 35) + (5 \times 160)}{10} = 193,5 \text{ bar}$$

193,5 bar is lower than 240 bar allowed as continuous pressure for T6GC - B14 with HF-0 fluid.

GENERAL APPLICATIONS INSTRUCTIONS

1. Check speed range, pressure, temperature, fluid quality, viscosity and pump rotation.
2. Check inlet conditions of the pump, if it can accept application requirement.
3. Type of shaft : if it would support operating torque.
4. Coupling must be chosen to minimize the pump shaft load (weight, misalignment).
5. Filtration : must be adequate for lowest contamination level.
6. Environment of pump : to avoid noise reflection, pollution and shocks.

PRIMING AT STARTING

At first start operation of the pump, run it shaft at the lowest speed and at the lowest pressure to obtain priming. When a pressure relief valve is used at the outlet it should be backed off to minimize the return pressure.

An air bleed off should be provided in the circuit to facilitate the purging.

Never operate the pump shaft at top speed and pressure without checking for completion of pump priming, and the fluid has no aeration disaerated.

Model No. T67GB - B15 - 6 R 00 - A 1 - 00 -

Series

Cam ring

(Delivery at 0 bar & 1500 r.p.m.)

B02 = 8,7 l/min B07 = 33,7 l/min
 B03 = 14,7 l/min B08 = 37,4 l/min
 B04 = 19,2 l/min B10 = 47,7 l/min
 B05 = 23,9 l/min B12 = 61,5 l/min
 B06 = 29,7 l/min B15 = 75,0 l/min

Type of shaft

6 = splined (DIN 5462)

Direction of rotation (view on shaft end)

R = clockwise

L = counter-clockwise

Modification

Mounting W/connection variables

Code	UNC		Metric	
	00	01	M0	M1
S = 1.1/2"	SAE	SAE	SAE	SAE
P = 1"	BSPP	SAE	BSPP	SAE

Seal class

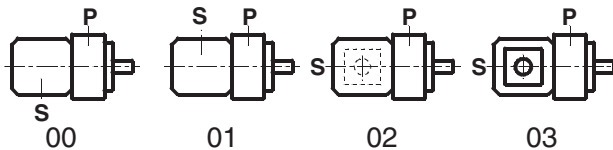
1 = S1 - BUNA N

Design letter

Porting combination

00 = standard

P = Pressure port
 S = Suction port



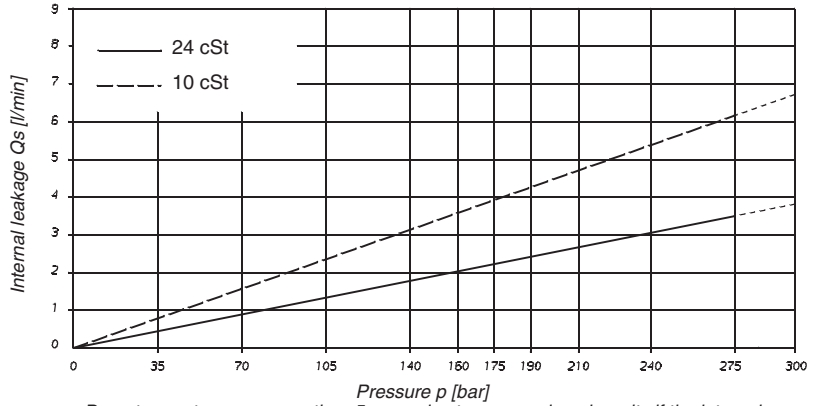
OPERATING CHARACTERISTICS - TYPICAL [24 cSt]

Series	Volumetric Displacement Vi	Speed n [R.P.M.]	Flow Q [l/min]			Input power P [kW]		
			p = 0 bar	p = 140 bar	p = 300 bar	p = 7 bar	p = 140 bar	p = 300 bar
B02	5,8 ml/rev	1000	5,8	4,1	-	0,2	1,6	-
		1500	8,7	7,0	5,1	0,5	2,6	5,1
B03	9,8 ml/rev	1000	9,8	8,1	6,2	0,2	2,5	5,3
		1500	14,7	13,0	11,1	0,6	4,0	8,1
B04	12,8 ml/rev	1000	12,8	11,1	9,2	0,3	3,2	6,8
		1500	19,2	17,5	15,6	0,6	5,0	10,4
B05	15,9 ml/rev	1000	15,9	14,2	12,3	0,3	4,0	8,4
		1500	23,9	22,2	20,2	0,7	6,1	12,7
B06	19,8 ml/rev	1000	19,8	18,1	16,2	0,3	4,9	10,3
		1500	29,7	28,0	26,1	0,7	7,5	15,6
B07	22,5 ml/rev	1000	22,5	20,8	19,0	0,4	5,5	11,8
		1500	33,7	32,0	30,2	0,8	8,5	17,6
B08	24,9 ml/rev	1000	24,9	23,2	21,3	0,4	6,1	12,9
		1500	37,4	35,7	33,7	0,8	9,3	19,5
B10	31,8 ml/rev	1000	31,8	30,1	28,2	0,5	7,7	16,3
		1500	47,7	46,0	44,1	0,9	11,7	24,6
B12	41,0 ml/rev	1000	41,0	39,3	37,4	0,6	9,8	20,9
		1500	61,5	59,8	57,9	1,1	14,9	31,5
B15	50,0 ml/rev	1000	50,0	48,3	46,6 ¹⁾	0,7	11,9	23,7 ¹⁾
		1500	75,0	73,3	71,6 ¹⁾	1,3	18,1	35,7 ¹⁾

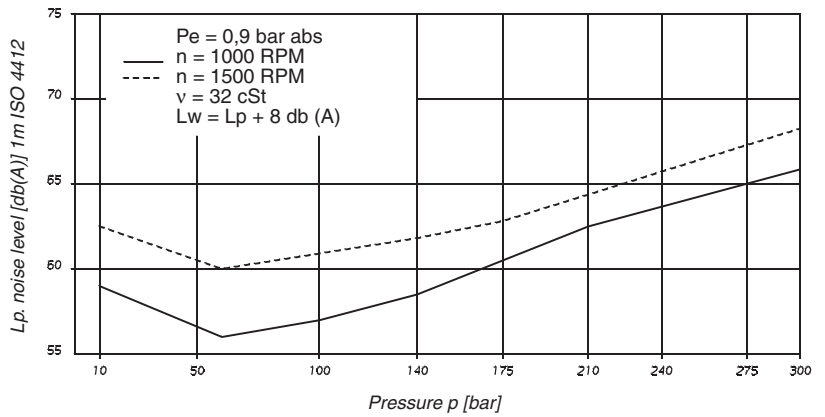
¹⁾ B15 = 280 bar max. int.

- Not to use if the internal leakage greater than 50% of the theoretical flow.

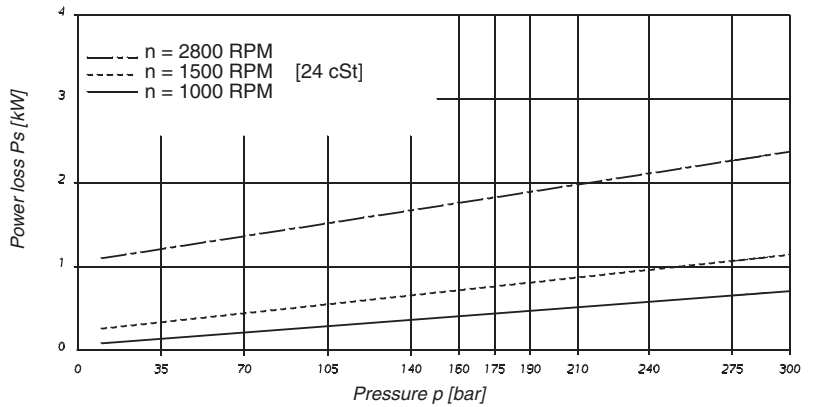
INTERNAL LEAKAGE (TYPICAL)



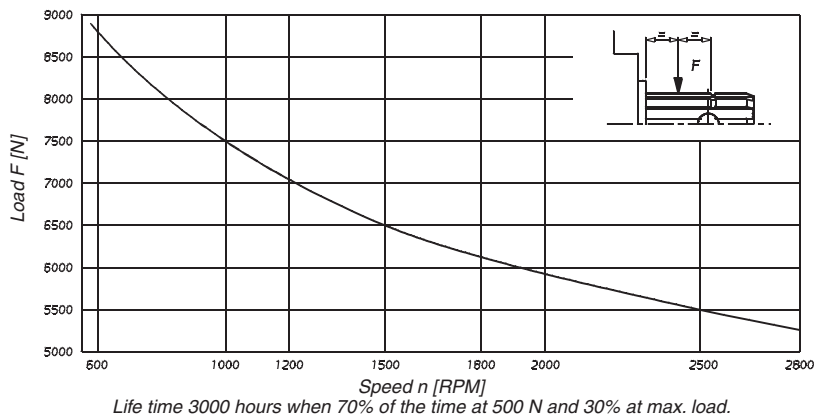
NOISE LEVEL (TYPICAL)
T67GB - B10



POWER LOSS HYDROMECHANICAL (TYPICAL)



PERMISSIBLE RADIAL LOAD



Model No. T6ZC - B22 - 6 R 00 - A 1 - 00 -

Series T6GC

Cam ring (Delivery at 0 bar & 1500 r.p.m.)
 B03 = 16,2 l/min B17 = 87,4 l/min
 B05 = 25,8 l/min B20 = 95,7 l/min
 B06 = 31,9 l/min B22 = 105,4 l/min
 B08 = 39,6 l/min B25 = 118,9 l/min
 B10 = 51,1 l/min B28 = 133,2 l/min
 B12 = 55,6 l/min B31 = 150,0 l/min
 B14 = 69,0 l/min

Type of shaft
 6 = splined (DIN 5462) T6GC
 6 = splined (DIN 5463) T6ZC

Direction of rotation (view on shaft end)
 R = clockwise
 L = counter-clockwise

Modification

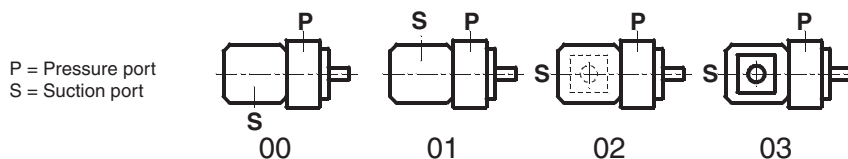
Mounting W/connection variables

Code	UNC		Metric T6GC only	
	00	01	M0	M1
S = 1.1/2"	SAE	SAE	SAE	SAE
P = 1"	BSPP	SAE	BSPP	SAE

Seal class
 1 = S1 - BUNA N (T6GC and T6ZC)
 5 = S5 - VITON® (T6ZC)

Design letter

Porting combination
 00 = standard



OPERATING CHARACTERISTICS - TYPICAL [24 cSt]

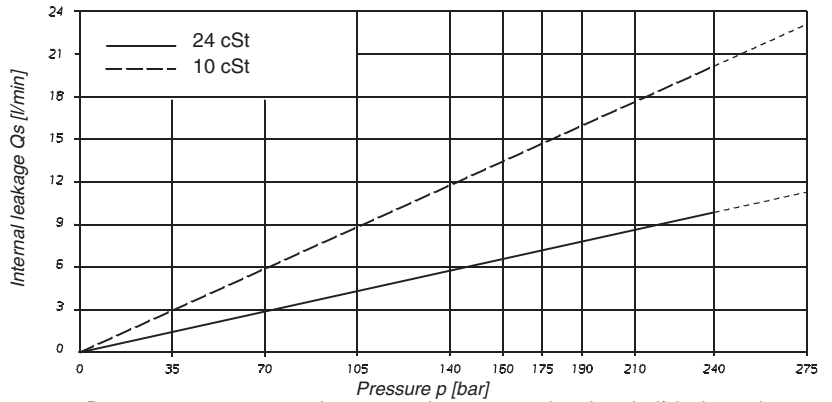
Series	Volumetric Displacement Vi	Speed n [R.P.M.]	Flow Q [l/min]			Input power P [kW]		
			p = 0 bar	p = 140 bar	p = 240 bar	p = 7 bar	p = 140 bar	p = 240 bar
B03	10,8 ml/rev	1000	10,8	-	-	1,0	-	-
		1500	16,2	10,7	-	1,3	5,3	-
B05	17,2 ml/rev	1000	17,2	11,7	-	1,1	5,1	-
		1500	25,8	20,3	15,8	1,4	7,5	12,2
B06	21,3 ml/rev	1000	21,3	15,8	11,3	1,1	6,0	10,0
		1500	31,9	26,5	22,0	1,5	8,9	14,7
B08	26,4 ml/rev	1000	26,4	20,9	16,4	1,2	7,2	12,1
		1500	39,6	34,1	29,6	1,6	10,7	17,7
B10	34,1 ml/rev	1000	34,1	28,6	24,1	1,3	8,9	15,1
		1500	51,1	45,7	41,2	1,7	13,4	22,3
B12	37,1 ml/rev	1000	37,1	31,6	27,1	1,3	9,6	16,3
		1500	55,6	50,2	45,7	1,7	14,4	24,1
B14	46,0 ml/rev	1000	46,0	40,5	36,0	1,4	11,7	19,9
		1500	69,0	63,5	59,0	1,9	17,6	29,5
B17	58,3 ml/rev	1000	58,3	52,8	48,3	1,6	14,5	24,8
		1500	87,4	82,0	77,5	2,1	21,9	36,9
B20	63,8 ml/rev	1000	63,8	58,3	53,8	1,6	15,8	27,0
		1500	95,7	90,2	85,7	2,2	23,8	40,2
B22	70,3 ml/rev	1000	70,3	64,8	60,3	1,7	17,3	29,6
		1500	105,4	100,0	95,5	2,3	26,1	44,1
B25 ¹⁾	79,3 ml/rev	1000	79,3	73,8	69,3	1,8	19,3	33,2
		1500	118,9	113,5	109,0	2,5	29,2	49,5
B28 ¹⁾	88,8 ml/rev	1000	88,8	83,3	80,1 ²⁾	1,9	21,9	32,5 ²⁾
		1500	133,2	127,7	124,5 ²⁾	2,8	32,7	48,5 ²⁾
B31 ¹⁾	100,0 ml/rev	1000	100,0	94,5	91,3 ²⁾	2,0	24,4	36,4 ²⁾
		1500	150,0	144,5	141,3 ²⁾	2,8	36,5	54,4 ²⁾

¹⁾ B25 - B28 - B31 = 2500 R.P.M. max.

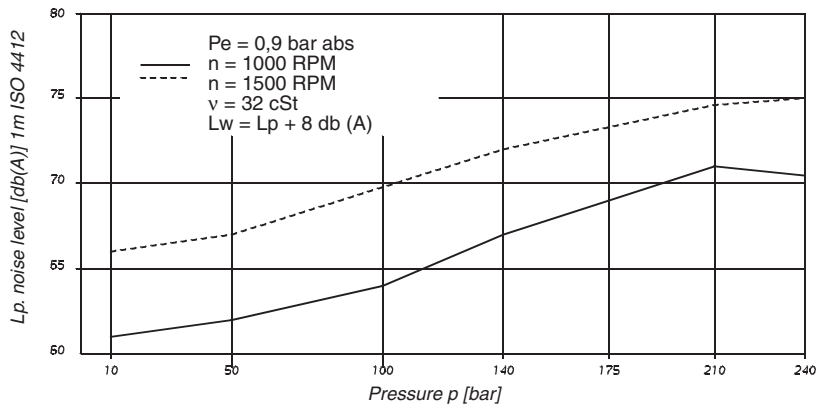
²⁾ B28 - B31 = 210 bar max. int.

- Not to use if the internal leakage is greater than 50% of the theoretical flow.

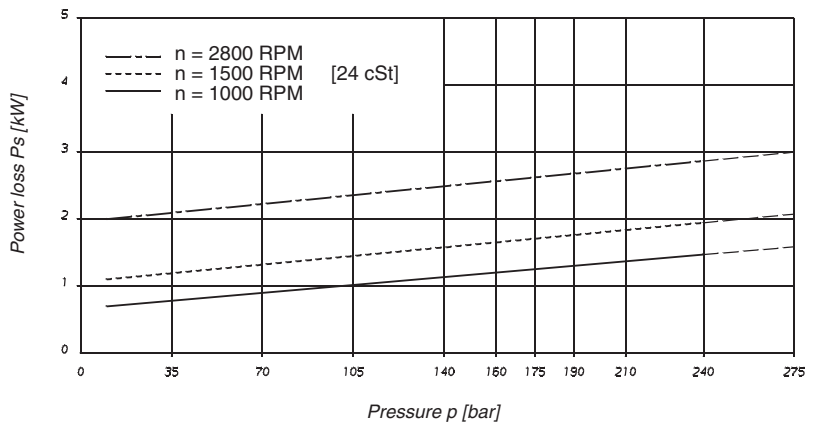
INTERNAL LEAKAGE (TYPICAL)



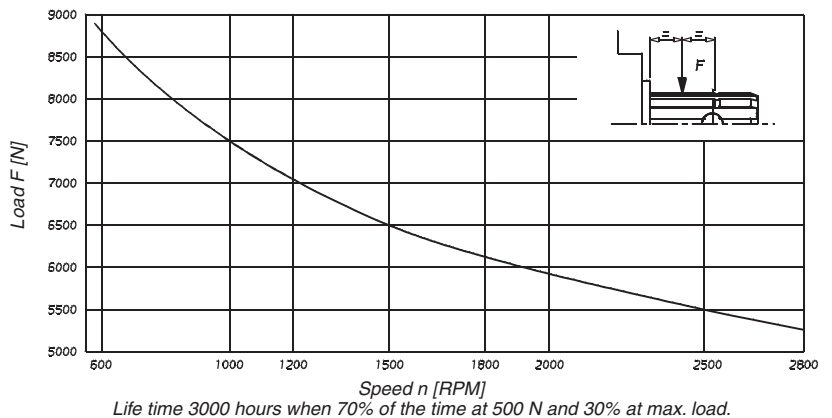
**NOISE LEVEL (TYPICAL)
T6GC - B22**



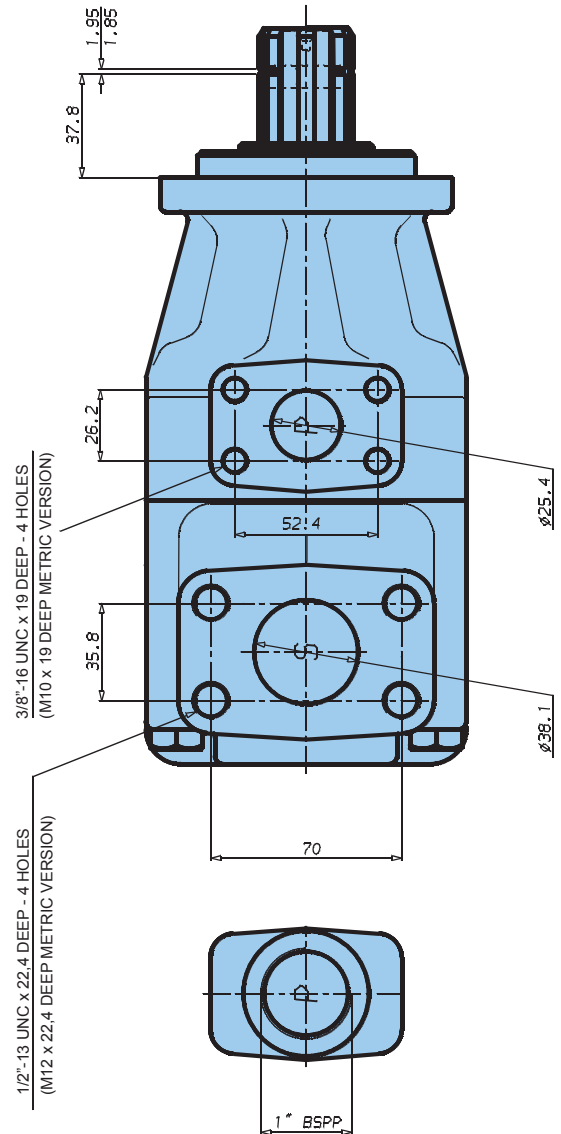
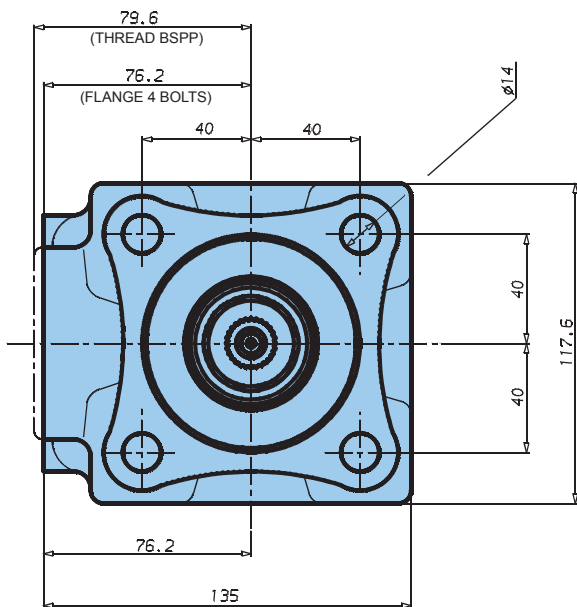
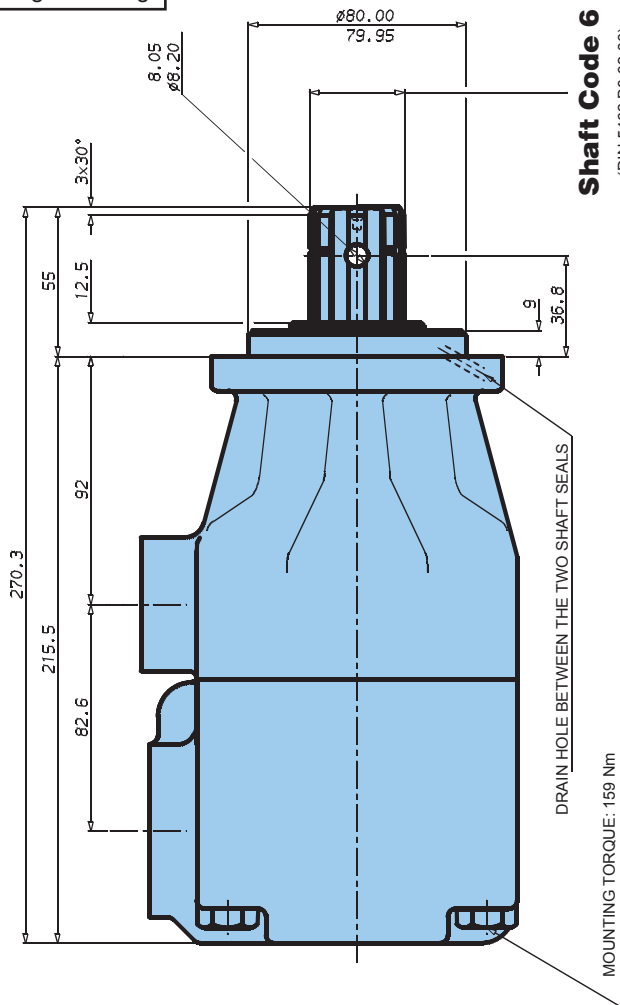
**POWER LOSS HYDROMECHANICAL
(TYPICAL)**



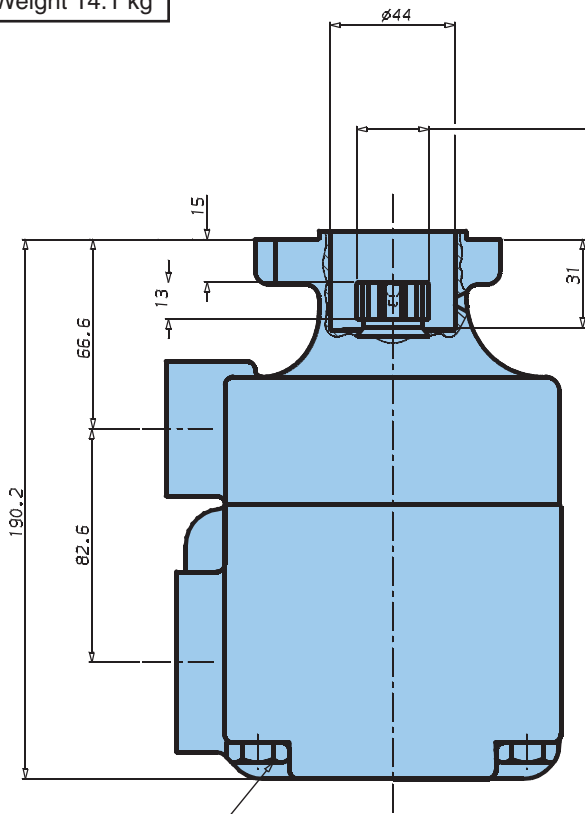
**PERMISSIBLE RADIAL LOAD
T6GC**



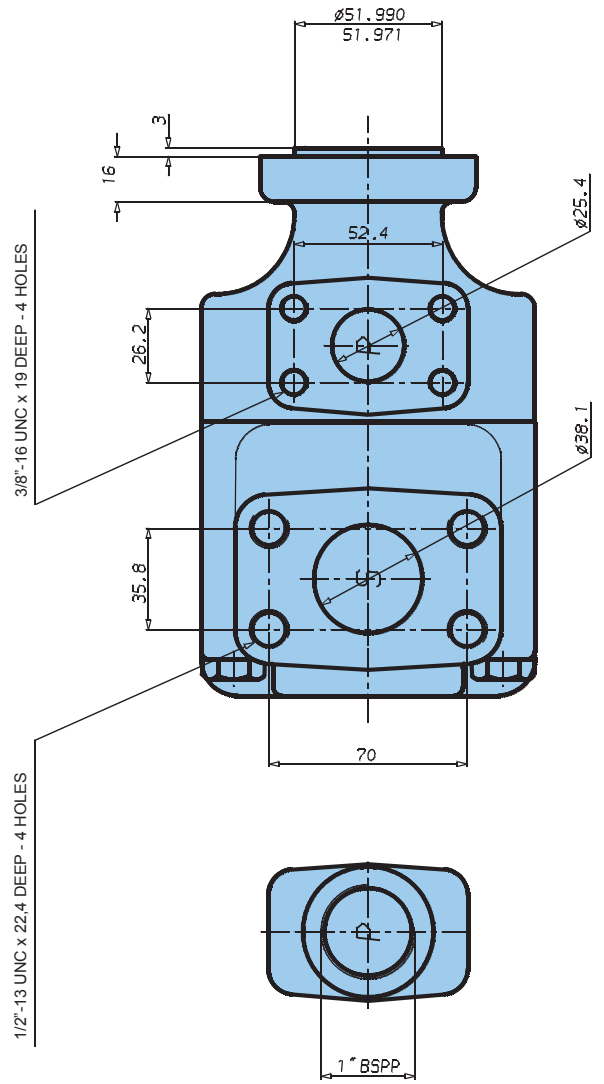
Weight 18.0 kg



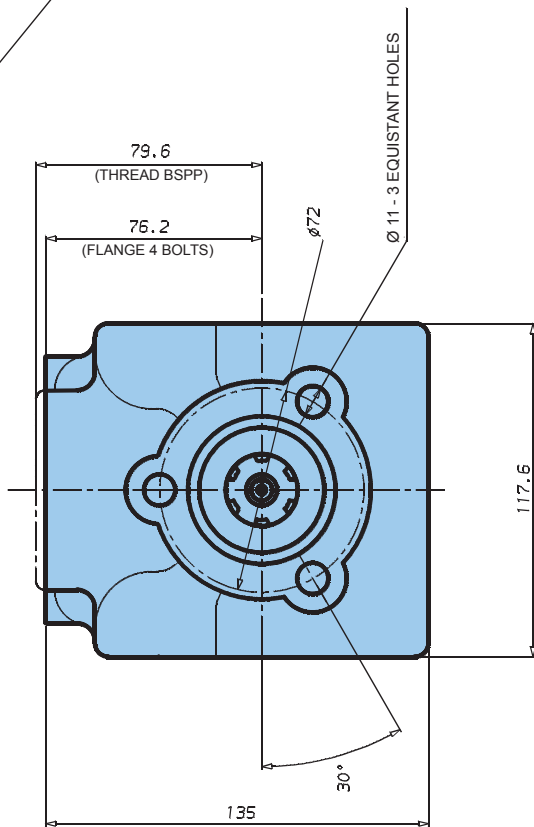
Weight 14.1 kg



Shaft Code 6
(DIN 5463 B6-21-25)



MOUNTING TORQUE: 159 Nm



Model No.

T6GCC - B22 - B08 - 6 R 00 - B 1 - 00

Series



Cam ring for "P1" & "P2"

(Delivery at 0 bar & 1500 r.p.m.)

B03 = 16,2 l/min	B17 = 87,4 l/min
B05 = 25,8 l/min	B20 = 95,7 l/min
B06 = 31,9 l/min	B22 = 105,4 l/min
B08 = 39,6 l/min	B25 = 118,9 l/min
B10 = 51,1 l/min	B28 = 133,2 l/min
B12 = 55,6 l/min	B31 = 150,0 l/min
B14 = 69,0 l/min	

Type of shaft

6 = splined (DIN 5462)

Direction of rotation (view on shaft end)

R = clockwise

L = counter-clockwise

Modification

Mounting W/connection variables

	P1 = 1" - S = 3"	P1 = 1" - S = 2.1/2"2)		
Code	00-0M	01-M0	10-1M	11-M1
P2	1"	3/4" 1)	1"	3/4" 1)

0 = UNC thread M = metric thread

1) for 46 ml/rev. max.

2) for 126 ml/rev. max.

The larger cartridge must always be mounted in the front.

Seal class

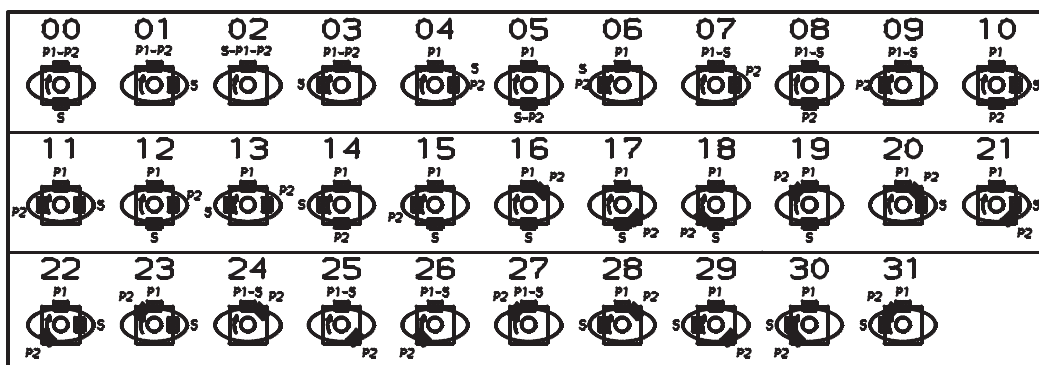
1 = S1 - BUNA N

Design letter

Porting combination

00 = standard

P = Pressure port
S = Suction port



OPERATING CHARACTERISTICS - TYPICAL [24 cSt]

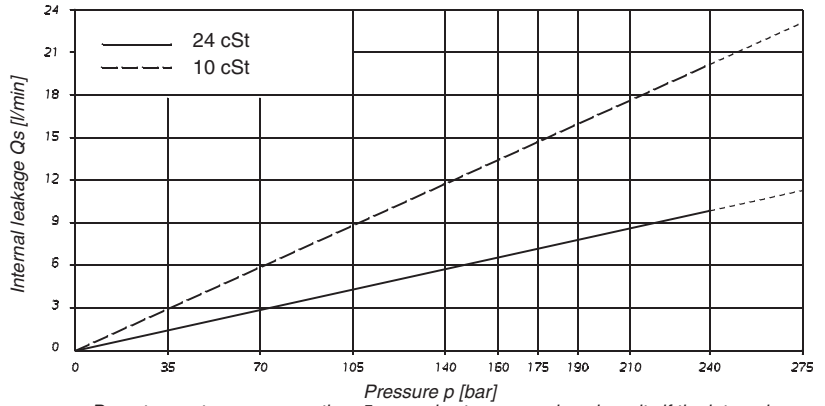
Series	Volumetric Displacement Vi	Speed n [R.P.M.]	Flow Q [l/min]			Input power P [kW]		
			p = 0 bar	p = 140 bar	p = 240 bar	p = 7 bar	p = 140 bar	p = 240 bar
B03	10,8 ml/rev	1000	10,8	-	-	1,0	-	-
		1500	16,2	10,7	-	1,3	5,3	-
B05	17,2 ml/rev	1000	17,2	11,7	-	1,1	5,1	-
		1500	25,8	20,3	15,8	1,4	7,5	12,2
B06	21,3 ml/rev	1000	21,3	15,8	11,3	1,1	6,0	10,0
		1500	31,9	26,5	22,0	1,5	8,9	14,7
B08	26,4 ml/rev	1000	26,4	20,9	16,4	1,2	7,2	12,1
		1500	39,6	34,1	29,6	1,6	10,7	17,7
B10	34,1 ml/rev	1000	34,1	28,6	24,1	1,3	8,9	15,1
		1500	51,1	45,7	41,2	1,7	13,4	22,3
B12	37,1 ml/rev	1000	37,1	31,6	27,1	1,3	9,6	16,3
		1500	55,6	50,2	45,7	1,7	14,4	24,1
B14	46,0 ml/rev	1000	46,0	40,5	36,0	1,4	11,7	19,9
		1500	69,0	63,5	59,0	1,9	17,6	29,5
B17	58,3 ml/rev	1000	58,3	52,8	48,3	1,6	14,5	24,8
		1500	87,4	82,0	77,5	2,1	21,9	36,9
B20	63,8 ml/rev	1000	63,8	58,3	53,8	1,6	15,8	27,0
		1500	95,7	90,2	85,7	2,2	23,8	40,2
B22	70,3 ml/rev	1000	70,3	64,8	60,3	1,7	17,3	29,6
		1500	105,4	100,0	95,5	2,3	26,1	44,1
B25 ¹⁾	79,3 ml/rev	1000	79,3	73,8	69,3	1,8	19,3	33,2
		1500	118,9	113,5	109,0	2,5	29,2	49,5
B28 ¹⁾	88,8 ml/rev	1000	88,8	83,3	80,1 ²⁾	1,9	21,9	32,5 ²⁾
		1500	133,2	127,7	124,5 ²⁾	2,8	32,7	48,5 ²⁾
B31 ¹⁾	100,0 ml/rev	1000	100,0	94,5	91,3 ²⁾	2,0	24,4	36,4 ²⁾
		1500	150,0	144,5	141,3 ²⁾	2,8	36,5	54,4 ²⁾

¹⁾ B25 - B28 - B31 = 2500 R.P.M. max.

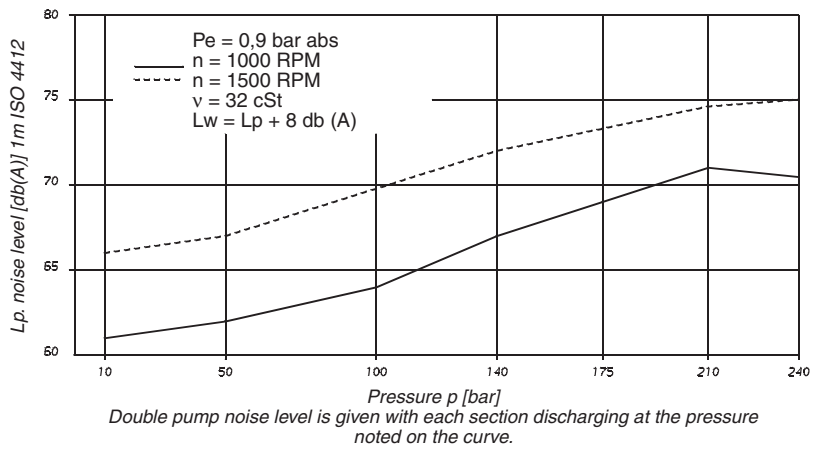
²⁾ B28 - B31 = 210 bar max. int.

- Not to use if the internal leakage is greater than 50% of the theoretical flow.

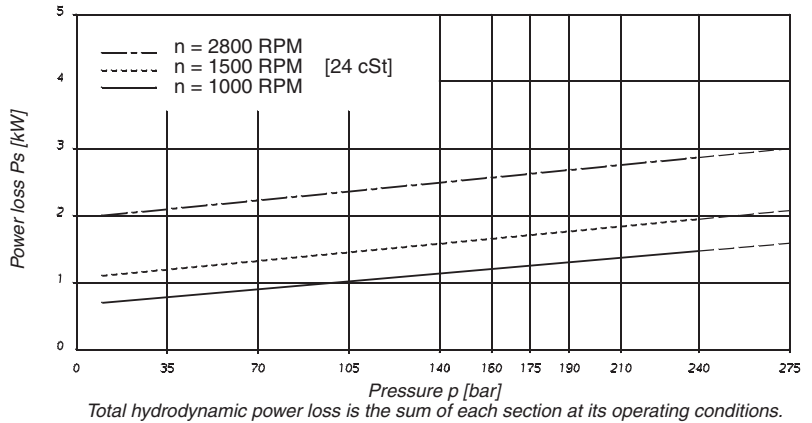
INTERNAL LEAKAGE (TYPICAL)



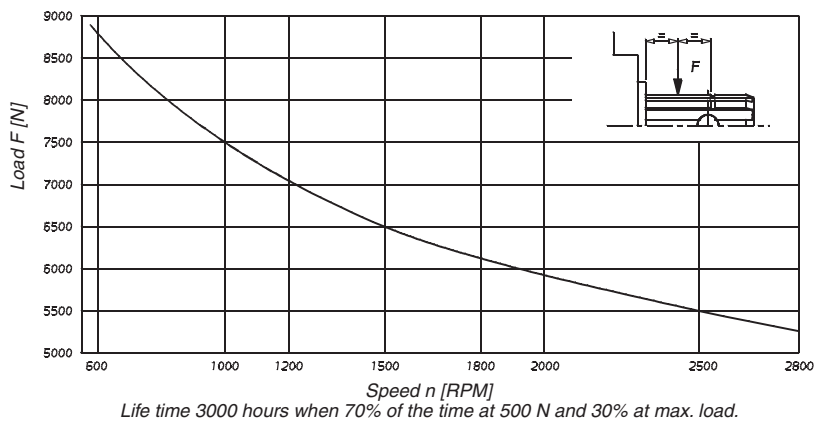
NOISE LEVEL (TYPICAL)
T6GCC - B22 - B22



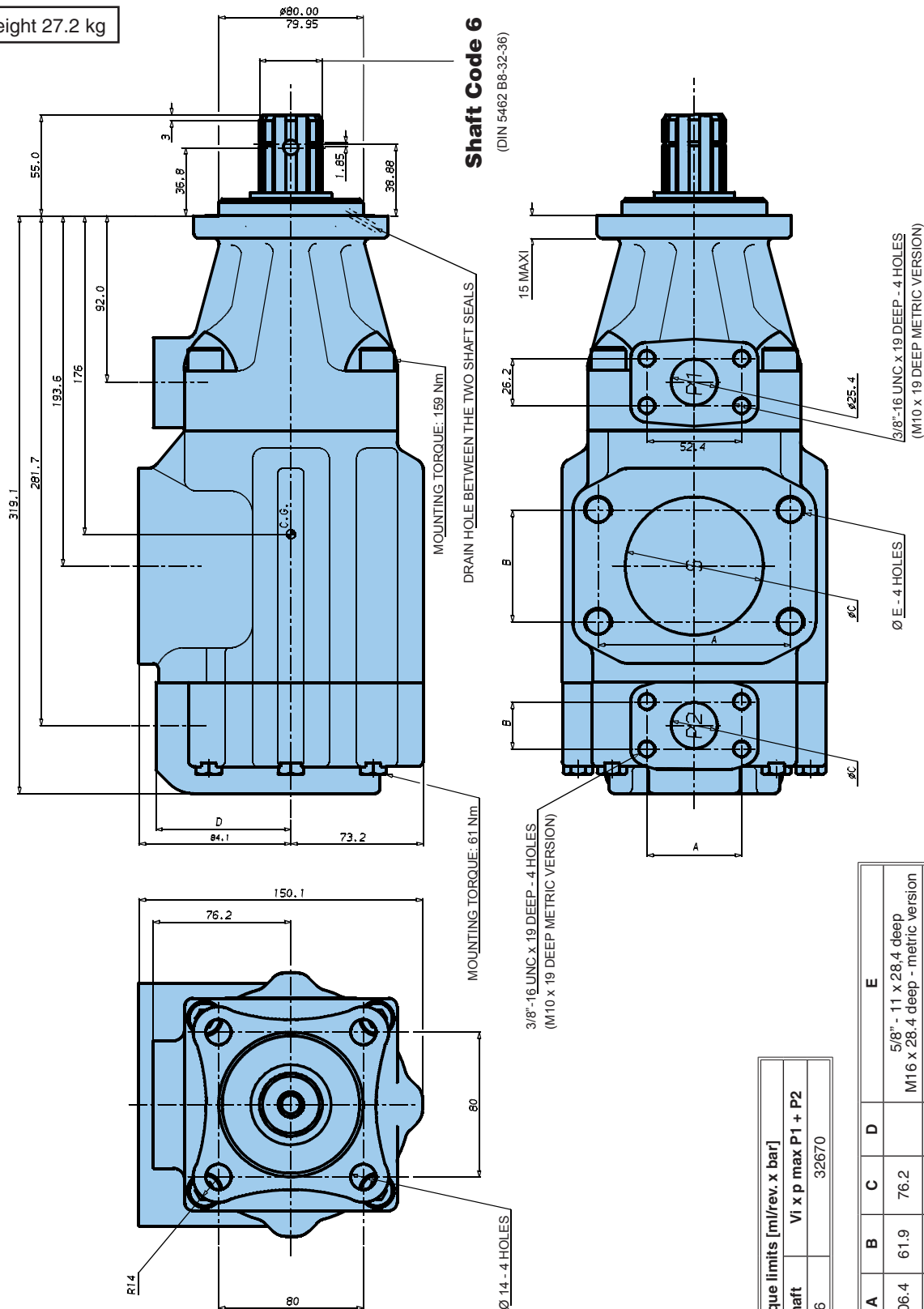
POWER LOSS HYDROMECHANICAL (TYPICAL)



PERMISSIBLE RADIAL LOAD - T6GCC



Weight 27.2 kg



Shaft torque limits [ml/rev. x bar]	
Pump	Shaft
T6GCC	6
V1 x p max P1 + P2	
32670	

Port	Code	A	B	C	D	E
S	3"	106.4	61.9	76.2		5/8" - 11 x 28.4 deep M16 x 28.4 deep - metric version
S	2. 1/2"	88.9	50.8	63.5		1/2" - 13 x 23.9 deep M12 x 23.9 deep - metric version
P1	1"	52.4	26.2	25.4	76.2	
P2	3/4"	47.7	22.4	19.0	76.2	
P2	1"	52.4	26.2	25.4	74.7	

Parker Worldwide

AE – UAE, Dubai
Tel: +971 4 8127100
parker.me@parker.com

AR – Argentina, Buenos Aires
Tel: +54 3327 44 4129

AT – Austria, Wiener Neustadt
Tel: +43 (0)2622 23501-0
parker.austria@parker.com

AT – Eastern Europe, Wiener Neustadt
Tel: +43 (0)2622 23501 900
parker.easteurope@parker.com

AU – Australia, Castle Hill
Tel: +61 (0)2-9634 7777

AZ – Azerbaijan, Baku
Tel: +994 50 2233 458
parker.azerbaijan@parker.com

BE/LU – Belgium, Nivelles
Tel: +32 (0)67 280 900
parker.belgium@parker.com

BR – Brazil, Cachoeirinha RS
Tel: +55 51 3470 9144

BY – Belarus, Minsk
Tel: +375 17 209 9399
parker.belarus@parker.com

CA – Canada, Milton, Ontario
Tel: +1 905 693 3000

CH – Switzerland, Etoy
Tel: +41 (0) 21 821 02 30
parker.switzerland@parker.com

CL – Chile, Santiago
Tel: +56 2 623 1216

CN – China, Shanghai
Tel: +86 21 2899 5000

CZ – Czech Republic, Klecany
Tel: +420 284 083 111
parker.czechrepublic@parker.com

DE – Germany, Kaarst
Tel: +49 (0)2131 4016 0
parker.germany@parker.com

DK – Denmark, Ballerup
Tel: +45 43 56 04 00
parker.denmark@parker.com

ES – Spain, Madrid
Tel: +34 902 330 001
parker.spain@parker.com

FI – Finland, Vantaa
Tel: +358 (0)20 753 2500
parker.finland@parker.com

FR – France, Contamine s/Arve
Tel: +33 (0)4 50 25 80 25
parker.france@parker.com

GR – Greece, Athens
Tel: +30 210 933 6450
parker.greece@parker.com

HK – Hong Kong
Tel: +852 2428 8008

HU – Hungary, Budapest
Tel: +36 1 220 4155
parker.hungary@parker.com

IE – Ireland, Dublin
Tel: +353 (0)1 466 6370
parker.ireland@parker.com

IN – India, Mumbai
Tel: +91 22 6513 7081-85

IT – Italy, Corsico (MI)
Tel: +39 02 45 19 21
parker.italy@parker.com

JP – Japan, Fujisawa
Tel: +(81) 4 6635 3050

KR – South Korea, Seoul
Tel: +82 2 559 0400

KZ – Kazakhstan, Almaty
Tel: +7 7272 505 800
parker.easteurope@parker.com

LV – Latvia, Riga
Tel: +371 6 745 2601
parker.latvia@parker.com

MX – Mexico, Apodaca
Tel: +52 81 8156 6000

MY – Malaysia, Shah Alam
Tel: +60 3 7849 0800

NL – The Netherlands, Oldenzaal
Tel: +31 (0)541 585 000
parker.nl@parker.com

NO – Norway, Ski
Tel: +47 64 91 10 00
parker.norway@parker.com

NZ – New Zealand, Mt Wellington
Tel: +64 9 574 1744

PL – Poland, Warsaw
Tel: +48 (0)22 573 24 00
parker.poland@parker.com

PT – Portugal, Leca da Palmeira
Tel: +351 22 999 7360
parker.portugal@parker.com

RO – Romania, Bucharest
Tel: +40 21 252 1382
parker.romania@parker.com

RU – Russia, Moscow
Tel: +7 495 645-2156
parker.russia@parker.com

SE – Sweden, Spånga
Tel: +46 (0)8 59 79 50 00
parker.sweden@parker.com

SG – Singapore
Tel: +65 6887 6300

SK – Slovakia, Banská Bystrica
Tel: +421 484 162 252
parker.slovakia@parker.com

SL – Slovenia, Novo Mesto
Tel: +386 7 337 6650
parker.slovenia@parker.com

TH – Thailand, Bangkok
Tel: +662 717 8140

TR – Turkey, Istanbul
Tel: +90 216 4997081
parker.turkey@parker.com

TW – Taiwan, Taipei
Tel: +886 2 2298 8987

UA – Ukraine, Kiev
Tel: +380 44 494 2731
parker.ukraine@parker.com

UK – United Kingdom, Warwick
Tel: +44 (0)1926 317 878
parker.uk@parker.com

US – USA, Cleveland (industrial)
Tel: +1 216 896 3000

US – USA, Lincolnshire (mobile)
Tel: +1 847 821 1500

VE – Venezuela, Caracas
Tel: +58 212 238 5422

ZA – South Africa, Kempton Park
Tel: +27 (0)11 961 0700
parker.southafrica@parker.com

European Product Information Centre
Free phone: 00 800 27 27 5374
(from AT, BE, CH, CZ, DE, DK, EE, ES, FI, FR, IE, IL, IS, IT, LU, MT, NL, NO, PL, PT, RU, SE, UK, ZA)



Parker Hannifin Ltd.
Tachbrook Park Drive
Tachbrook Park, Warwick CV34 6TU
United Kingdom
Tel.: +44 (0) 1926 317 878
Fax: +44 (0) 1926 317 855
www.parker.com